

YDHN TRANSMISSION



HANGZHOU YIDING TRANSMISSION MACHINERY CO., LTD.

ADD: Xieyi Village, Jingjiang Street, Xiaoshan District, Hangzhou

Tel: +86 57182130781

Tex: +86 57182130751

Web: www.yd-reducer.com

Email: felixxu@yd-reducer.com

VF SERIES WORM GEAR SPEED REDUCER



Hangzhou YiDing Transmission Machinery Co., Ltd. was founded in 2010. Trade mark is YDHN. With innovation and hard work, YDHN has grown quickly into a professional manufacturer of mechanical transmission filed.

YDHN can offer customers a wide range of sizes and series gearboxes, which include worm gear reducers, helical gear reducers, helical bevel gear reducers, shaft mounted gear reducers and screw jacks with good capability and competitive price.

YDHN has many technical experts in domestic mechanical transmission filed, and possesses the powerful ability in developing the new products. YDHN highly regards the quality of products, pursue excelsior on the quality of products, and guarantee to produce the high quality product with strict ISO9001: 2008 quality management systems.

VF系列蜗轮蜗杆减速机 VF series worm gear speed reducer

概述 Summary

VF系列蜗轮蜗杆减速机是我公司在原有产品RV系列减速机的基础上, 为适应客户需求而开发的新型减速机。它的外形更加小巧美观。

To fit the requirement of the customer. We have also developed a new generation worm gear speed reducer VF based on our former product RV.

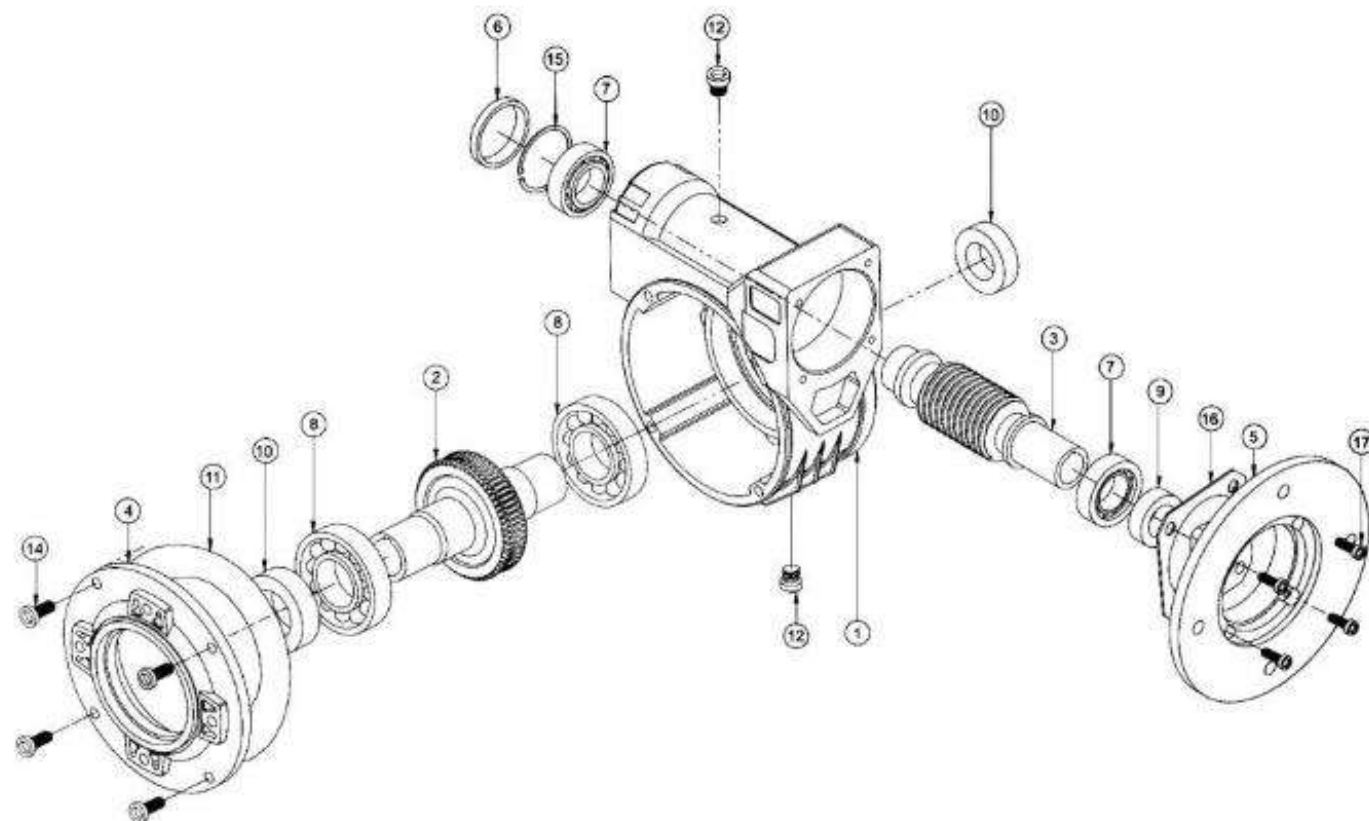


型号及表示方法 Type & Expressions

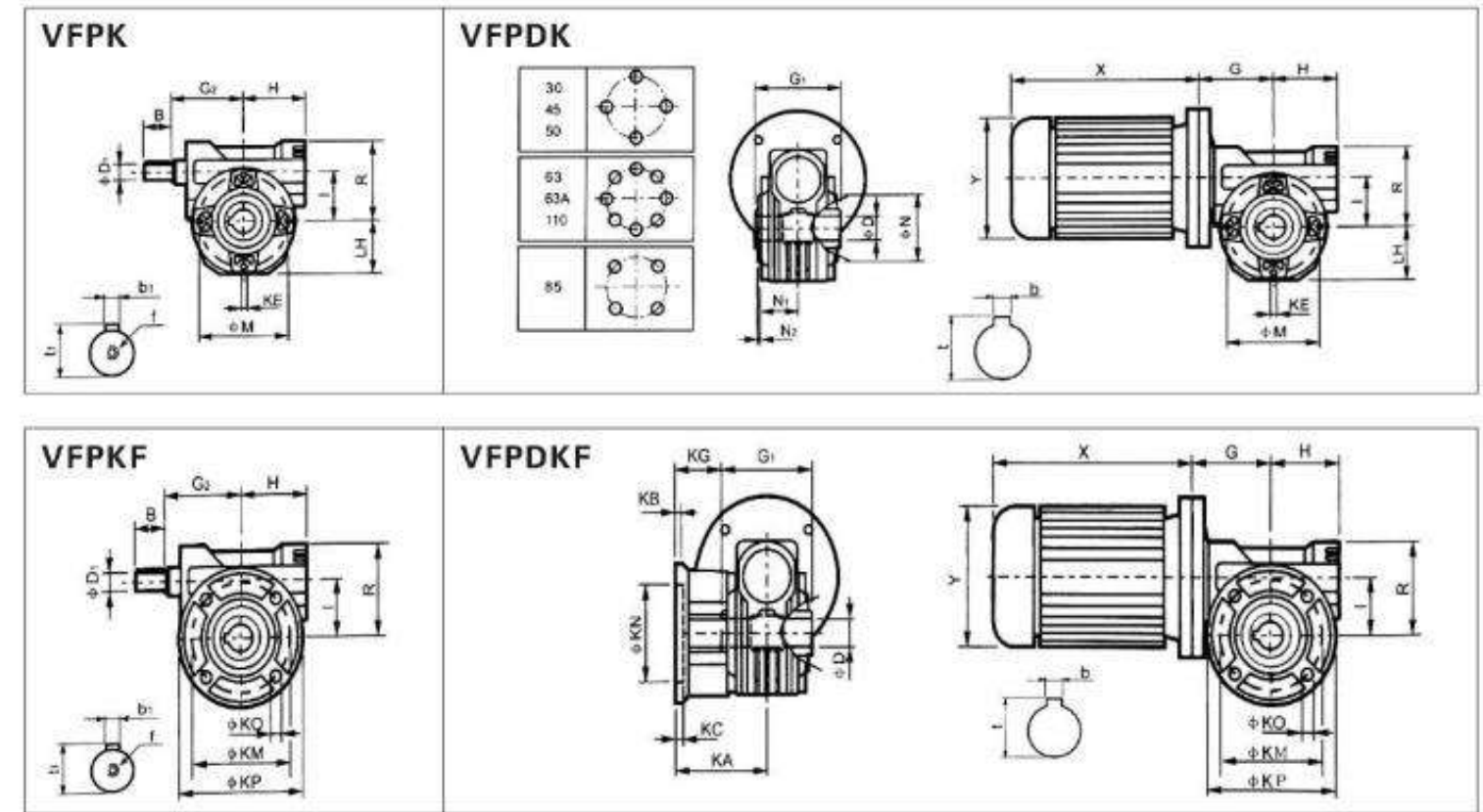
| VF P D K F (30/)/63-40 E F1 SZ 71B5 | | | |
|-------------------------------------|---|------|---|
| VF | VF为单级蜗轮减速机系列 VF means single worm reducer series | 40 | 速比 Ratio |
| P | "P" 型铝合金壳 "P" model aluminium casing | E | 带蜗杆同向输入轴, 不标注时为不带蜗杆同向输入轴 Double extension worm shaft, no mark means single extension worm shaft |
| D | "D" 为带电机法兰 "D" mark means flange | F1 | 输出法兰位置 Output flange the from |
| K | 输出轴孔式 Output shaft hoie | SZ | 带双向输出轴, 标注 "DZ" 为带单向输出轴 Tow-way shat output, "DZ" mark means one-way shaft output |
| F | 输出法兰 Output flange | 71B5 | 电机机座号和安装结构形式 Motor mounting facility |
| (30/)/63 | 规格 Specification | | |

主要指标 Main specification

| 中心距 Center distance (mm) | | | | | | |
|--------------------------|-------------|----|--------------------|-----|----|-----|
| 30 | 45 | 50 | 63 | 63A | 85 | 110 |
| 序号 Number | 零件 Parts | | | | | |
| 1 | 箱体 | | Frame | | | |
| 2 | 蜗轮 | | Worm wheel | | | |
| 3 | 蜗杆 | | Worm shaft | | | |
| 4 | 端盖 | | Output shaft cover | | | |
| 5 | 法兰 | | Flange | | | |
| 6 | 密封端盖 | | Seal cover | | | |
| 7 | 轴承 | | Bearing | | | |
| 8 | 轴承 | | Bearing | | | |
| 9 | 油封 | | Oil seal | | | |
| 10 | 油封 | | Oil seal | | | |
| 11 | 密封垫 | | Oring | | | |
| 12 | 螺塞 | | Oil Plug | | | |
| 13 | 平键 | | Key | | | |
| 14 | 内六角螺钉 | | Intl.hex screw | | | |
| 15 | 孔用挡圈 | | Snap Ring | | | |
| 16 | 密封垫 | | Oring | | | |
| 17 | 内六角螺钉 | | Intl.hex screw | | | |



外形及安装尺寸 Installation dimension



标准型 Standard Type

| 型号 Size | B | G | G ₁ | G ₂ | H | I | LH | M | N | N ₁ | N ₂ | KE | R | 输出法兰 Output Flange | | | | | | | | 输入轴 Input Shaft | | | | 重量(kg) Weight | | | | | | |
|------------|----|------|----------------|----------------|-----|-----|------|-----|-----|----------------|----------------|----------|-----|--------------------|-------|------|----|-----|-----|------|-----|-----------------|----------------|----------------|-----|------------------|------|------|----|------|------|---|
| | | | | | | | | | | | | | | KA | KB | KC | KG | KM | KN | KO | KP | D ₁ | b ₁ | t ₁ | f | | D | b | t | | | |
| 30 | 20 | 62.5 | 55 | 58 | 46 | 30 | 39 | 65 | 50 | 30 | 2 | 4-M6×9 | 51 | 50.5 | 55.5 | 6 | 6 | 68 | 87 | 50 | 60 | 7 | 8.5 | 80 | 110 | 9 | 3 | 10.2 | 14 | 5 | 16.3 | 1 |
| 45 | 30 | 74 | 65 | 68 | 55 | 45 | 49 | 65 | 50 | 35 | 2 | 4-M6×14 | 72 | 60.5 | 90.5 | 9 | 9 | 87 | 80 | 8.5 | 110 | 11 | 4 | 12.5 | 18 | 6 | 20.8 | 18 | 6 | 20.8 | 2.4 | |
| 50 | 30 | 81.5 | 81 | 74.5 | 65 | 50 | 54.5 | 94 | 68 | 38 | 3 | 4-M6×9 | 81 | 85 | 114.5 | 12 | 9 | 90 | 70 | 10.5 | 123 | 16 | 5 | 18 | M6 | 25 | 8 | 28.3 | 3 | | | |
| 63 | 45 | 99.5 | 120 | 93 | 79 | 63 | 70 | 90 | 75 | 45 | 5 | 8-M8×17 | 100 | 86 | 116 | 13 | 7 | 150 | 115 | 10.5 | 175 | 18 | 6 | 20.5 | M6 | 25 | 8 | 28.3 | 6 | | | |
| 63A | 45 | 99.5 | 120 | 93 | 79 | 63 | 70 | 90 | 75 | 45 | 5 | 8-M8×17 | 100 | 85 | 111 | 13 | 7 | 165 | 130 | 13 | 200 | 18 | 6 | 20.5 | M6 | 28 | 8 | 31.3 | 6 | | | |
| 85 | 50 | 124 | 135 | 112 | 98 | 85 | 94.5 | 130 | 110 | 64 | 3.5 | 4-M10×18 | 138 | 108 | 148.5 | 16 | 5 | 175 | 152 | 13 | 205 | 25 | 8 | 28 | M8 | 35 | 10 | 38.3 | 11 | | | |
| 110 | 56 | 148 | 155 | 138 | 125 | 110 | 120 | 165 | 130 | 74 | 3.5 | 8-M12×30 | 170 | 131.5 | 179.5 | 16.5 | 11 | 230 | 170 | 13 | 270 | 25 | 8 | 28 | M8 | 42 | 12 | 45.3 | 35 | | | |

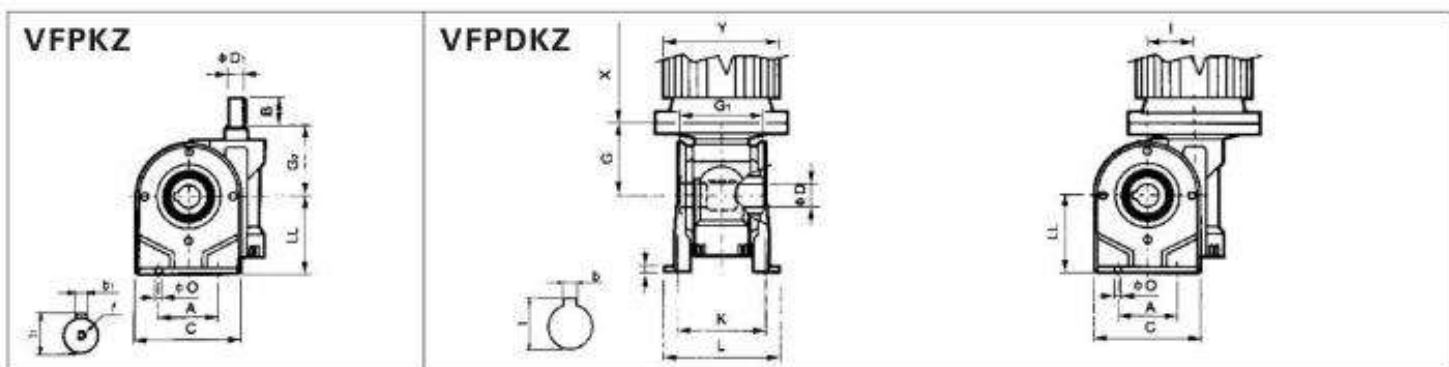
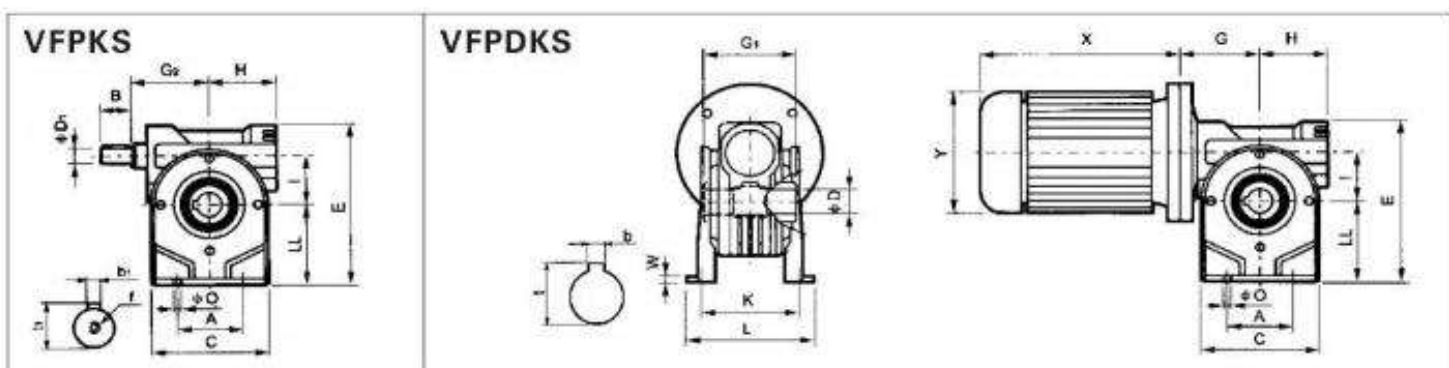
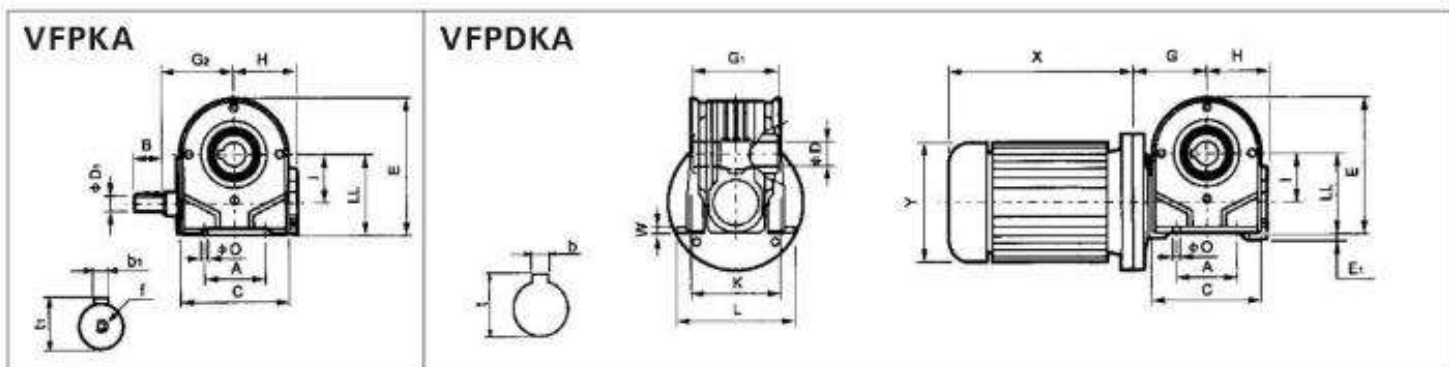
特殊型 Special Type

| 型号 Size | 输出法兰 Output Flange | | | | | | | | | | | | | | | | 输入轴 Input Shaft | | | | 重量(kg) Weight | | | | | | | | | | | | | | | | | | | | | | | | | | |
|------------|--------------------|--|--|--|-----|--|--|--|-----|--|--|--|------|--|--|--|-----------------|--|--|--|------------------|----|--|--|-----|----|--|--|------|----|--|--|------|----------------|----------------|----------------|-----|------|------|----|----|------|------|----|----|----|------|
| | KA | | | | KB | | | | KC | | | | KG | | | | KM | | | | | KN | | | | KO | | | | KP | | | | D ₁ | b ₁ | t ₁ | f | D | b | t | | | | | | | |
| 30 | 49 | | | | 5.5 | | | | 3.5 | | | | 21.5 | | | | 56 | | | | 40 | | | | 6.5 | | | | 80 | | | | 9 | 3 | 10.2 | 14 | 5 | 16.3 | | | | | | | | | |
| 45 | 73.5 | | | | 8.5 | | | | 4 | | | | 41 | | | | 115 | | | | 95 | | | | 9 | | | | 8.5 | | | | 140 | | | | 11 | 4 | 12.5 | 19 | 6 | 21.8 | | | | | |
| 50 | 83.5 | | | | 11 | | | | 4 | | | | 43 | | | | 130 | | | | 110 | | | | 10 | | | | 10.5 | | | | 160 | | | | 14 | 5 | 16 | M6 | 24 | 8 | 27.3 | | | | |
| 63 | 102 | | | | 13 | | | | 7 | | | | 42 | | | | 165 | | | | 130 | | | | 13 | | | | 11 | | | | 200 | | | | 19 | 6 | 21.5 | M8 | 25 | 8 | 28.3 | | | | |
| 63A | 111 | | | | 13 | | | | 7 | | | | 51 | | | | 165 | | | | 130 | | | | 13 | | | | 11 | | | | 200 | | | | 19 | 6 | 21.5 | M8 | 28 | 8 | 31.3 | | | | |
| 85 | 117.5 | | | | 13 | | | | 5 | | | | 50 | | | | 39 | | | | 165 | | | | 130 | | | | 13 | | | | 11.5 | | | | 200 | | | | 24 | 8 | 27 | M8 | 35 | 10 | 38.3 |
| 110 | 150 | | | | 18 | | | | 5 | | | | 72.5 | | | | 215 | | | | 230 | | | | 180 | | | | 15 | | | | 13 | | | | 250 | | | | 28 | 8 | 31 | M8 | 42 | 12 | 45.3 |

注: 1) 标注型尺寸中: "FC"、"FL"表示不同规格的法兰;
2) 特殊型尺寸中: "F1"、"F2"、"F3"、"F4"表示不同规格的法兰;
3) "重量(kg)"表示标注型不带法兰的重量。

Notes: 1) Standard type: "FC"、"FL" represent different types of flange;
2) Special type: "F1"、"F2"、"F3"、"F4" represent different types of flange;
3) Weight without flange.

外形及安装尺寸 Installation dimension



| 型号 Size | A | | B | | C | | E | | E ₁ | | E ₂ | | G | G ₁ | G ₂ | H | I | 输入轴 Input Shaft | | | | | | | | 出力孔 Output Hole | | | | 重量(kg) Weight | | | | | | | | | | | |
|------------|-------|----|-----|-----|-----|-------|------|------|----------------|-----|----------------|---------|------|----------------|----------------|-------|-----|-----------------|----|------|------|------|-----|----|------|-----------------|------|------|------|------------------|------|------|------|------|------|------|------|------|----|------|----|
| | S | T | S | T | S | T | S | T | S | T | S | T | | | | | | S | T | S | T | S | T | S | T | S | T | S | T | | b | t | | | | | | | | | |
| 30 | 50 | 52 | 20 | 76 | 90 | 106 | 103 | 1 | 94 | 91 | 82.5 | 55 | 58 | 46 | 30 | 65-66 | 66 | 87 | 55 | 52 | 65 | 3 | 9 | 3 | 10.2 | | 14 | 5 | 16.3 | 1 | | | | | | | | | | | |
| 45 | 50-52 | 70 | 30 | 98 | 90 | 144 | 143 | | 121 | 74 | 65 | 88 | 55 | 45 | 80-81 | 84 | 100 | 72 | 71 | 10.5 | 8 | 3 | 6 | 11 | 4 | 12.5 | 18 | 19 | 6 | 20.8 | 21.8 | 2.4 | | | | | | | | | |
| 50 | 63-65 | 85 | 30 | 113 | 110 | 163 | 166 | | 135 | 139 | 81.5 | 81 | 74.5 | 65 | 98-100 | 96 | 123 | 114 | 82 | 85 | 10.5 | 10 | 3.5 | 10 | 16 | 14 | 5 | 18 | 16 | M6 | M5 | 25 | 24 | 8 | 28.3 | 27.3 | 3 | | | | |
| 63 | 95 | 45 | 133 | 200 | | 170 | 99.5 | 120 | 93 | 79 | 63 | 110-111 | 144 | 100 | 10.5 | 4 | 18 | 19 | 6 | 20.5 | 21.5 | M8 | M8 | 25 | 8 | 28.3 | 8 | 28.3 | 8 | 28.3 | 8 | 28.3 | 8 | 28.3 | 8 | 28.3 | 6 | | | | |
| 63A | 120 | 45 | 156 | 215 | | 170 | 185 | 99.5 | 120 | 93 | 79 | 63 | 115 | 142 | 115 | 11 | 12 | 18 | 19 | 6 | 20.5 | 21.5 | M6 | M6 | 28 | 8 | 31.3 | 8 | 31.3 | 8 | 31.3 | 8 | 31.3 | 8 | 31.3 | 8 | 31.3 | 6 | | | |
| 85 | 140 | 50 | 180 | 280 | | 238.5 | 124 | 135 | 112 | 96 | 85 | 145 | 182 | 142 | 105 | 5 | 25 | 24 | 8 | 28 | 27 | M8 | | 35 | 10 | 36.3 | 11 | 36.3 | 11 | 36.3 | 11 | 36.3 | 11 | 36.3 | 11 | 36.3 | 11 | 36.3 | 11 | | |
| 110 | 200 | 56 | 240 | 340 | 342 | 266 | 268 | 148 | 155 | 138 | 125 | 110 | 180 | 160 | 224 | 190 | 170 | 172 | 13 | 14 | 22 | 18 | 25 | 28 | 8 | 28 | 31 | M8 | | 42 | 12 | 45.3 | 35 | 45.3 | 35 | 45.3 | 35 | 45.3 | 35 | 45.3 | 35 |

注: 1) "S"表示标准型尺寸, "T"表示特殊型尺寸;
2) "重量(kg)"表示标注型不带法兰的重量。

Notes: 1) "S" means the standard type, "T" means the special type;
2) Weight without flange.

附属尺寸 Accessories' dimensions

电机直联尺寸 Motor mounting facility dimensions

| 外形 Chart | 电机功率 Power (kw) | IEC Frame | B5、B14 | | | B5 | | | B14 | | | |
|-------------|-----------------------|--------------|--------|-----|-----|-----|-----|-----|-----|--|--|--|
| | | | D | N | M | P | N | M | P | | | |
| | 0.06 | 56 | 9 | 80 | 100 | 120 | 50 | 65 | 80 | | | |
| | 0.09 | | | | | | | | | | | |
| | 0.12 | 63 | 11 | 90 | 115 | 140 | 60 | 75 | 90 | | | |
| | 0.18 | | | | | | | | | | | |
| | 0.25 | 71 | 14 | 110 | 130 | 160 | 70 | 85 | 105 | | | |
| | 0.37 | | | | | | | | | | | |
| | 0.55 | 80 | 19 | 130 | 165 | 200 | 80 | 100 | 120 | | | |
| | 0.75 | | | | | | | | | | | |
| | 1.1 | 90 | 24 | 130 | 165 | 200 | 95 | 115 | 140 | | | |
| | 1.5 | | | | | | | | | | | |
| | 1.8 | 100 | | | | | | | | | | |
| | 2.2 | | | | | | | | | | | |
| | 3.0 | 112 | 28 | 180 | 215 | 250 | 110 | 130 | 160 | | | |
| | 4.0 | | | | | | | | | | | |
| 5.5 | 132 | | | | | | | | | | | |
| 7.5 | | 38 | 230 | 265 | 300 | | | | | | | |

扭力臂 Torque arm

| 外形 Chart | 型号 Size | | | A | d | d ₀ | D ₁ | D ₂ | D ₃ | G | R | δ |
|-------------|---------|------------------|------|-----|-----|----------------|----------------|----------------|----------------|----|----|---|
| | VFP | VFEP | VFFP | | | | | | | | | |
| | 30 | | | 100 | 80 | 7 | 50 | 8 | 65 | 14 | 18 | 4 |
| | 45 | 30/45 | 45 | 100 | 90 | 7 | 50 | 8 | 65 | 14 | 18 | 4 |
| | 50 | 30/50 | 50 | 100 | 110 | 7 | 68 | 8 | 94 | 14 | 18 | 4 |
| | 63 | 30/63 45/63 | 63 | 150 | 110 | 9 | 75 | 10 | 90 | 20 | 30 | 6 |
| | 63A | 30/63A 45/63A | 63A | 150 | 110 | 9 | 75 | 20 | 90 | 20 | 30 | 6 |
| | 85 | 45/85 | 85 | 200 | 160 | 11 | 110 | 20 | 130 | 25 | 40 | 6 |
| | 110 | 50/110 | 110 | 250 | 200 | 13 | 130 | 20 | 165 | 25 | 41 | 6 |
| | | | | | | | | | | | | |

单向(DZ)、双向(SZ)输出轴尺寸 Sizes of single (DZ) & double (SZ) output shaft

| 外形 Chart | 型号 Size | | | d(h6) | B | B ₁ | G ₁ | L | L ₁ | b ₁ | t ₁ |
|-------------|---------|------------------|------|-------|------|----------------|----------------|---------|----------------|----------------|----------------|
| | VFP | VFEP | VFFP | | | | | | | | |
| | 30 | | | 14 | 25 | 35.5 | 55 | 95 | 126 | 5 | 16 |
| | 45 | 30/45 | 45 | 18 | 32 | 43 | 65 | 113 | 151 | 6 | 20.5 |
| | | | | (19) | (40) | (58.5) | | (128.5) | (18) | | (21.5) |
| | 50 | 30/50 | 50 | 25 | 52 | 60 | 81 | 14 | 200 | 8 | 28 |
| | | | | (24) | (50) | (68.5) | | (155) | (218) | | (27) |
| | 63 | 30/63 45/63 | 63 | 25 | 60 | 63 | 120 | 190 | 246.4 | 8 | 28 |
| | 63A | 30/63A 45/63A | 63A | 25 | 60 | 63 | 120 | 191 | 247 | 8 | 31 |
| | 85 | 45/85 | 85 | 35 | 60 | 73.5 | 135 | 214 | 282 | 10 | 38 |
| 110 | 50/110 | 110 | 42 | 75 | 96.5 | 155 | 260 | 348 | 12 | 45 | |

蜗杆同向输入轴尺寸 Double worm shaft

| 外形 Chart | 型号 Size | | | d(h6) | B | G ₂ |
|-------------|---------|------------------|------|-------|-----|----------------|
| | VFP | VFEP | VFFP | | | |
| | 30 | | | 9 | 20 | 47 |
| | 45 | 30/45 | 45 | 11 | 30 | 56 |
| | | | | 9 | 20 | 47 |
| | 50 | 30/50 | 50 | 16 | 30 | 67 |
| | | | | 9 | 20 | 47 |
| | 63 | 30/63 45/63 | 63 | 18 | 45 | 81 |
| | | | | 9 | 20 | 47 |
| | 63A | 30/63A 45/63A | 63A | 18 | 45 | 81 |
| 11 | | | | 30 | 56 | |
| 85 | 45/85 | 85 | 25 | 50 | 100 | |
| | | | 11 | 30 | 56 | |
| 110 | 50/110 | 110 | 25 | 60 | 127 | |
| | | | 16 | 30 | 67 | |

不带电机法兰型性能参数(n1=1400r/min)
Performance parameter of type without flange

单级VFP系列 Single VFP series

| 型号 Size | 减速比 i Ratio | 输入功率(kw) Input Power | 输出 Output | |
|------------|----------------|-------------------------|------------------------|----------------------|
| | | | n ₂ (r/min) | M ₂ (N.m) |
| 30 | 7 | 0.42 | 200 | 16 |
| | 10.6 | 0.28 | 132 | 16 |
| | 15 | 0.24 | 93 | 18 |
| | 19 | 0.2 | 74 | 18 |
| | 30 | 0.16 | 47 | 20 |
| | 39 | 0.13 | 36 | 19 |
| | 61 | 0.09 | 23 | 19 |
| | 80 | 0.06 | 17.5 | 15 |
| 45 | 7 | 0.76 | 200 | 29 |
| | 10 | 0.54 | 140 | 29 |
| | 14 | 0.39 | 100 | 29 |
| | 21 | 0.41 | 67 | 39 |
| | 28 | 0.31 | 50 | 39 |
| | 37 | 0.25 | 38 | 39 |
| | 46 | 0.21 | 30 | 39 |
| | 60 | 0.17 | 23 | 39 |
| | 70 | 0.11 | 20 | 29 |
| | 102 | 0.08 | 13.7 | 28 |
| 50 | 7 | 1.4 | 200 | 54 |
| | 10 | 1.1 | 140 | 59 |
| | 14 | 0.86 | 100 | 65 |
| | 18 | 0.64 | 78 | 59 |
| | 26 | 0.52 | 54 | 63 |
| | 36 | 0.41 | 39 | 69 |
| | 43 | 0.34 | 33 | 65 |
| | 60 | 0.25 | 23 | 59 |
| | 68 | 0.21 | 21 | 55 |
| | 80 | 0.18 | 17.5 | 54 |
| 63 | 100 | 0.14 | 14 | 49 |
| | 7 | 3 | 200 | 119 |
| | 10 | 2.3 | 140 | 128 |
| | 15 | 1.6 | 93 | 131 |
| | 19 | 1.3 | 74 | 131 |
| | 24 | 1.1 | 58 | 135 |
| | 30 | 0.92 | 47 | 139 |
| | 36 | 0.84 | 39 | 140 |
| | 45 | 0.63 | 31 | 129 |
| | 67 | 0.43 | 21 | 118 |
| 63A | 80 | 0.36 | 17.5 | 113 |
| | 94 | 0.31 | 14 | 103 |
| | 7 | 3.9 | 200 | 155 |
| | 10 | 3 | 140 | 165 |
| | 15 | 2.1 | 93 | 169 |
| | 19 | 1.7 | 74 | 169 |
| | 24 | 1.4 | 58 | 176 |
| | 30 | 1.2 | 47 | 180 |
| | 36 | 1.1 | 39 | 181 |
| | 45 | 0.82 | 31 | 167 |
| 85 | 67 | 0.55 | 21 | 151 |
| | 80 | 0.47 | 17.5 | 146 |
| | 94 | 0.37 | 14.9 | 124 |
| | 7 | 5.8 | 200 | 245 |
| | 10 | 4.9 | 140 | 270 |
| | 14 | 3.9 | 100 | 290 |
| | 20 | 2.6 | 70 | 280 |
| | 22 | 2.4 | 64 | 280 |
| | 28 | 2.3 | 50 | 330 |
| | 38 | 1.7 | 37 | 320 |
| 110 | 46 | 1.4 | 30 | 310 |
| | 52 | 1.2 | 27 | 275 |
| | 67 | 0.93 | 21 | 275 |
| | 74 | 0.87 | 18.9 | 255 |
| | 96 | 0.66 | 14.6 | 230 |
| | 7 | 10.9 | 200 | 460 |
| | 10 | 8.5 | 140 | 500 |
| | 16 | 5.7 | 88 | 510 |
| | 20 | 4.6 | 70 | 520 |
| | 23 | 3.9 | 61 | 490 |
| 110 | 30 | 4 | 47 | 620 |
| | 38 | 3.2 | 37 | 610 |
| | 45 | 2.5 | 31 | 570 |
| | 53 | 2.3 | 26 | 590 |
| | 64 | 1.7 | 22 | 510 |
| | 84 | 1.3 | 16.7 | 470 |
| | 99 | 1.1 | 14.1 | 460 |

不带电机法兰型性能参数

Performance parameter of type without flange

双级VFEP(蜗轮-蜗轮)系列 Double VFEP (worm-worm) series

| 型号 Size | 减速比 i Ratio | 输入功率(kw) Input Power | 输出 Output | |
|------------|----------------|-------------------------|------------------------|----------------------|
| | | | n ₂ (r/min) | M ₂ (N.m) |
| 30/45 | 133 | 0.13 | 10.5 | 60 |
| | 190 | 0.1 | 7.4 | 60 |
| | 266 | 0.07 | 5.3 | 60 |
| | 399 | 0.06 | 3.5 | 60 |
| | 532 | 0.05 | 2.6 | 60 |
| | 703 | 0.04 | 2 | 60 |
| | 874 | 0.04 | 1.6 | 60 |
| | 1092 | 0.03 | 1.3 | 60 |
| | 1443 | 0.03 | 1 | 60 |
| | 1749 | 0.02 | 0.8 | 60 |
| 2340 | 0.02 | 0.6 | 60 | |
| 30/50 | 25 | 0.12 | 5.6 | 95 |
| | 382 | 0.09 | 3.7 | 95 |
| | 540 | 0.07 | 2.6 | 95 |
| | 684 | 0.06 | 2 | 95 |
| | 817 | 0.05 | 1.7 | 95 |
| | 1140 | 0.04 | 1.2 | 95 |
| | 1404 | 0.04 | 1 | 95 |
| | 1677 | 0.03 | 0.8 | 95 |
| | 2340 | 0.03 | 0.6 | 90 |
| | 252 | 0.25 | 5.6 | 200 |
| 30/63 | 382 | 0.19 | 3.7 | 200 |
| | 540 | 0.15 | 2.6 | 200 |
| | 684 | 0.12 | 2 | 200 |
| | 1080 | 0.09 | 1.3 | 200 |
| | 1404 | 0.08 | 1 | 200 |
| | 2745 | 0.05 | 0.5 | 200 |
| | 252 | 0.32 | 5.6 | 252 |
| 30/63A | 382 | 0.24 | 3.7 | 252 |
| | 540 | 0.19 | 2.6 | 252 |
| | 684 | 0.16 | 2 | 252 |
| | 1080 | 0.11 | 1.3 | 252 |
| | 1404 | 0.1 | 1 | 252 |
| | 2745 | 0.05 | 0.5 | 210 |
| | 252 | 0.29 | 5.6 | 230 |
| 45/63 | 360 | 0.22 | 3.9 | 230 |
| | 504 | 0.17 | 2.8 | 230 |
| | 756 | 0.14 | 1.9 | 230 |

| 型号 Size | 减速比 i Ratio | 输入功率(kw) Input Power | 输出 Output | |
|------------|----------------|-------------------------|------------------------|----------------------|
| | | | n ₂ (r/min) | M ₂ (N.m) |
| 45/63 | 1008 | 0.11 | 1.4 | 230 |
| | 1332 | 0.09 | 1.1 | 230 |
| | 1656 | 0.07 | 0.8 | 230 |
| | 2160 | 0.06 | 0.6 | 230 |
| | 2520 | 0.06 | 0.6 | 230 |
| 45/63A | 252 | 0.34 | 5.6 | 264 |
| | 360 | 0.26 | 3.9 | 264 |
| | 504 | 0.2 | 2.8 | 264 |
| | 756 | 0.16 | 1.9 | 264 |
| | 1008 | 0.12 | 1.4 | 264 |
| | 1332 | 0.1 | 1.1 | 264 |
| | 1656 | 0.08 | 0.8 | 264 |
| | 2160 | 0.06 | 0.6 | 264 |
| | 2520 | 0.06 | 0.6 | 264 |
| | 45/85 | 140 | 0.58 | 10 |
| 196 | | 0.46 | 7.1 | 320 |
| 280 | | 0.5 | 5 | 450 |
| 392 | | 0.39 | 3.6 | 450 |
| 588 | | 0.31 | 2.4 | 450 |
| 784 | | 0.25 | 1.8 | 450 |
| 1036 | | 0.2 | 1.4 | 450 |
| 1288 | | 0.17 | 1.1 | 450 |
| 1960 | | 0.12 | 0.7 | 450 |
| 2856 | | 0.09 | 0.5 | 450 |
| 50/110 | 210 | 0.96 | 6.7 | 750 |
| | 300 | 0.85 | 4.7 | 850 |
| | 420 | 0.62 | 3.3 | 850 |
| | 540 | 0.55 | 2.6 | 850 |
| | 780 | 0.42 | 1.8 | 850 |
| | 1080 | 0.31 | 1.3 | 850 |
| | 1290 | 0.28 | 1.1 | 850 |
| | 1800 | 0.24 | 0.8 | 850 |
| | 2040 | 0.21 | 0.7 | 850 |
| | 2400 | 0.19 | 0.6 | 850 |
| 3000 | 0.17 | 0.5 | 850 | |

不带电机法兰型性能参数(n1=1400r/min)

Performance parameter of type without flange

双级VFFP(蜗轮-齿轮)系列 Double VFFP (worm-gear) series

| 型号 Size | 减速比 i Ratio | 输入功率(kw) Input Power | 输出 Output | |
|------------|----------------|-------------------------|------------------------|----------------------|
| | | | n ₂ (r/min) | M ₂ (N.m) |
| 45 | 30.1 | 0.33 | 47 | 50 |
| | 43 | 0.24 | 33 | 50 |
| | 60.2 | 0.2 | 23 | 50 |
| | 90.3 | 0.14 | 15.5 | 50 |
| | 120 | 0.11 | 11.6 | 50 |
| | 159 | 0.09 | 8.8 | 50 |
| | 198 | 0.08 | 7.1 | 50 |
| | 258 | 0.06 | 5.4 | 50 |
| | 301 | 0.04 | 4.7 | 35 |
| | 439 | 0.03 | 3.2 | 35 |
| 50 | 30.1 | 0.45 | 47 | 70 |
| | 43 | 0.32 | 33 | 70 |
| | 60.2 | 0.25 | 23 | 70 |
| | 77.4 | 0.25 | 18.1 | 80 |
| | 112 | 0.17 | 12.5 | 80 |
| | 155 | 0.14 | 9 | 80 |
| | 185 | 0.11 | 7.6 | 70 |
| | 258 | 0.08 | 5.4 | 70 |
| | 292 | 0.07 | 4.8 | 60 |
| | 344 | 0.04 | 4.1 | 40 |
| 63 | 430 | 0.04 | 3.3 | 40 |
| | 29.9 | 0.99 | 47 | 150 |
| | 37.7 | 0.8 | 37 | 150 |
| | 47.1 | 0.76 | 30 | 170 |
| | 56.6 | 0.69 | 25 | 170 |
| | 70.7 | 0.57 | 19.8 | 170 |
| | 87.8 | 0.39 | 15.9 | 170 |
| | 111 | 0.32 | 12.6 | 170 |
| | 139 | 0.27 | 10.1 | 170 |
| | 166 | 0.25 | 8.4 | 170 |
| 63A | 208 | 0.18 | 6.7 | 170 |
| | 310 | 0.14 | 4.5 | 150 |
| | 370 | 0.12 | 3.8 | 150 |
| | 434 | 0.1 | 3.2 | 125 |
| | 29.9 | 1.09 | 47 | 165 |
| | 37.7 | 0.88 | 37 | 165 |
| | 47.1 | 0.83 | 30 | 187 |
| | 56.6 | 0.76 | 25 | 187 |

| 型号 Size | 减速比 i Ratio | 输入功率(kw) Input Power | 输出 Output | |
|------------|----------------|-------------------------|------------------------|----------------------|
| | | | n ₂ (r/min) | M ₂ (N.m) |
| 63A | 70.7 | 0.64 | 19.8 | 187 |
| | 87.8 | 0.46 | 15.9 | 198 |
| | 111 | 0.37 | 12.6 | 198 |
| | 139 | 0.32 | 10.1 | 198 |
| | 166 | 0.29 | 8.4 | 198 |
| | 208 | 0.23 | 6.7 | 176 |
| | 310 | 0.16 | 4.5 | 176 |
| | 370 | 0.15 | 3.8 | 176 |
| | 434 | 0.1 | 3.2 | 130 |
| | 59.7 | 1.39 | 23.5 | 380 |
| 85 | 72.3 | 1.17 | 19.4 | 370 |
| | 81.7 | 1.12 | 17.1 | 380 |
| | 105 | 0.81 | 13.3 | 350 |
| | 176 | 0.53 | 8 | 400 |
| | 213 | 0.43 | 6.6 | 370 |
| | 240 | 0.44 | 5.8 | 380 |
| | 328 | 0.32 | 4.3 | 380 |
| | 422 | 0.23 | 3.3 | 350 |
| | 466 | 0.21 | 3 | 300 |
| | 605 | 0.18 | 2.3 | 300 |
| 110 | 42 | 3 | 33 | 650 |
| | 48 | 2.7 | 29 | 650 |
| | 63 | 2.3 | 22 | 680 |
| | 80 | 2 | 17.5 | 730 |
| | 94 | 1.4 | 14.9 | 600 |
| | 125 | 1.1 | 11.2 | 650 |
| | 164 | 0.92 | 8.5 | 680 |
| | 207 | 0.83 | 6.8 | 730 |
| | 245 | 0.58 | 5.7 | 600 |
| | 289 | 0.55 | 4.8 | 600 |
| 349 | 0.41 | 4 | 540 | |
| 458 | 0.32 | 3.1 | 500 | |
| 540 | 0.29 | 2.6 | 500 | |

带电机法兰型性能参数

Performance parameter of type without flange

VFP、VFEP、VFFP系列 Series

| 输入 Input | 型号 Size | | | 减速比 Ratio | 输出 Output | |
|---------------------------------|---------------------------------|--------|------|--------------|--------------|------------|
| | VFP | VFEP | VFFP | | $n_2(r/min)$ | $M_2(N.m)$ |
| P1=0.06kw 4p n1=1400r/min | 30 | | | 70 | 200 | 2 |
| | 30 | | | 10.6 | 132 | 3 |
| | 30 | | | 15 | 93 | 4 |
| | 30 | | | 19 | 74 | 5 |
| | 30 | | | 30 | 46.7 | 8 |
| | 30 | | | 39 | 35.9 | 9 |
| | 30 | | | 61 | 23 | 12 |
| | 30 | | | 80 | 17.5 | 16 |
| | | 30/45 | | 133 | 10.5 | 27 |
| | | 30/45 | | 190 | 7.4 | 37 |
| | | 30/50 | | 252 | 5.6 | 48 |
| | | 30/45 | | 266 | 5.3 | 49 |
| | | 30/50 | | 382 | 3.7 | 66 |
| | | 30/45 | | 399 | 3.5 | 59 |
| | | 30/45 | | 532 | 2.6 | 72 |
| | | 30/63 | | 540 | 2.6 | 82 |
| | | 30/80 | | 540 | 2.6 | 86 |
| | | 30/63A | | 684 | 2 | 95 |
| | | 30/63 | | 684 | 2 | 95 |
| | | 30/50 | | 684 | 2 | 101 |
| | | 30/50 | | 817 | 1.7 | 107 |
| | 30/63A | | 1080 | 1.3 | 133 | |
| | 30/63 | | 1080 | 1.3 | 133 | |
| | 30/50 | | 1140 | 1.2 | 126 | |
| | 30/63A | | 1404 | 1 | 155 | |
| | 30/63 | | 1404 | 1 | 155 | |
| | 30/63A | | 2745 | 0.51 | 258 | |
| | 30/6 | | 2745 | 0.51 | 258 | |
| P1=0.09kw 4p n1=1400r/min | 30 | | | 7 | 200 | 3 |
| | 30 | | | 10.6 | 132 | 5 |
| | 30 | | | 15 | 93 | 7 |
| | 30 | | | 19 | 74 | 8 |
| | 30 | | | 30 | 46.7 | 11 |
| | 30 | | | 39 | 35.9 | 14 |
| | 30 | | | 61 | 23 | 19 |
| | | 30/45 | | 133 | 10.5 | 41 |
| | | 30/45 | | 190 | 7.4 | 56 |
| | | 30/50 | | 252 | 5.6 | 73 |
| | | 30/63 | | 382 | 3.7 | 96 |
| | | 30/50 | | 382 | 3.7 | 98 |
| | | 30/63A | | 540 | 2.6 | 123 |
| | | 30/63 | | 540 | 2.6 | 123 |
| | | 30/63A | | 684 | 2 | 143 |
| | | 30/63 | | 684 | 2 | 143 |
| | | 30/63A | | 1080 | 1.3 | 199 |
| | | 30/63 | | 1080 | 1.3 | 199 |
| | | 30/63A | | 1404 | 1 | 233 |
| | | 30/63 | | 1404 | 1 | 233 |
| | P1=0.12kw 4p n1=1400r/min | | | | 7 | 200 |
| | | | | 10 | 140 | 7 |
| | | | | 10.6 | 132 | 7 |
| | | | | 14 | 100 | 10 |
| | | | | | | |
| | | | | | | |

| 输入 Input | 型号 Size | | | 减速比 Ratio | 输出 Output | |
|---------------------------------|---------|------|------|--------------|--------------|------------|
| | VFP | VFEP | VFFP | | $n_2(r/min)$ | $M_2(N.m)$ |
| P1=0.12kw 4p n1=1400r/min | 30 | | | 15 | 93 | 10 |
| | 30 | | | 19 | 74 | 12 |
| | 45 | | | 28 | 50 | 16 |
| | 30 | | | 30 | 46.7 | 16 |
| | | | 45 | 30.1 | 46.5 | 20 |
| | | | 50 | 30.1 | 46.5 | 20 |
| | 50 | | | 36 | 38.9 | 22 |
| | 45 | | | 37 | 37.8 | 21 |
| | 30 | | | 39 | 35.9 | 20 |
| | | | 45 | 43 | 32.6 | 27 |
| | | | 50 | 43 | 32.6 | 29 |
| | 50 | | | 43 | 32.6 | 25 |
| | 45 | | | 46 | 30.4 | 24 |
| | | | 45 | 60.2 | 23.3 | 32 |
| | 50 | | | 60 | 23.3 | 31 |
| | | | 50 | 60.2 | 23.3 | 37 |
| | 45 | | | 60 | 23.3 | 30 |
| | 50 | | | 68 | 20.6 | 34 |
| | 45 | | | 70 | 20 | 34 |
| | | | 50 | 77.4 | 18.1 | 42 |
| | 63 | | | 80 | 17.5 | 40 |
| 50 | | | 80 | 17.5 | 38 | |
| | | 63 | 87.8 | 15.9 | 57 | |
| | | 45 | 90.3 | 15.5 | 46 | |
| 63A | | | 94 | 14.9 | 43 | |
| 63 | | | 94 | 14.9 | 43 | |
| 50 | | | 100 | 14 | 44 | |
| | | 63 | 111 | 12.6 | 70 | |
| | | 63A | 111 | 12.6 | 69 | |
| | | 50 | 112 | 12.5 | 61 | |
| | | 45 | 120 | 11.7 | 56 | |
| | 30/45 | | 133 | 10.5 | 59 | |
| | | 63 | 139 | 10.1 | 83 | |
| | | 63A | 139 | 10.1 | 81 | |
| | | 50 | 155 | 9 | 77 | |
| | | 63 | 166 | 8.4 | 90 | |
| | | 63A | 166 | 8.4 | 88 | |
| | | 50 | 185 | 7.6 | 80 | |
| | 45/85 | | 196 | 7.1 | 90 | |
| | | 63A | 206 | 6.7 | 101 | |
| | | 63 | 206 | 6.7 | 109 | |
| | 45/63A | | 252 | 5.6 | 103 | |
| | 30/63A | | 252 | 5.6 | 103 | |
| | 45/63 | | 252 | 5.6 | 103 | |
| | 30/63 | | 252 | 5.6 | 103 | |
| | 30/50 | | 252 | 5.6 | 105 | |
| | | 63 | 310 | 4.5 | 140 | |
| | | 63A | 310 | 4.5 | 140 | |
| | | 85 | 328 | 4.3 | 154 | |
| | 45/63 | | 360 | 3.9 | 134 | |
| | 45/63A | | 360 | 3.9 | 134 | |
| | | 63A | 370 | 3.8 | 154 | |

带电机法兰型性能参数

Performance parameter of type without flange

VFP、VFEP、VFFP系列 Series

| 输入 Input | 型号 Size | | | 减速比 Ratio | 输出 Output | |
|---------------------------------|---------|--------|------|--------------|--------------|------------|
| | VFP | VFEP | VFFP | | $n_2(r/min)$ | $M_2(N.m)$ |
| P1=0.12kw 4p n1=1400r/min | | | 63 | 370 | 3.8 | 157 |
| | | 30/63A | | 382 | 3.7 | 139 |
| | | 30/63 | | 382 | 3.7 | 139 |
| | | 45/85 | | 392 | 3.6 | 153 |
| | | | 85 | 422 | 3.3 | 195 |
| | | | 85 | 433 | 3.2 | 173 |
| | | | 63A | 434 | 3.2 | 162 |
| | | | 63 | 434 | 3.2 | 162 |
| | | 45/63A | | 504 | 2.8 | 174 |
| | | 45/63 | | 504 | 2.8 | 174 |
| | | 30/63 | | 540 | 2.6 | 177 |
| | | 30/63A | | 540 | 2.6 | 177 |
| | | 45/85 | | 588 | 2.4 | 193 |
| | | | 85 | 605 | 2.3 | 215 |
| | | 30/63A | | 684 | 2 | 206 |
| | | 30/63 | | 684 | 2 | 206 |
| | | 45/63A | | 756 | 1.9 | 221 |
| | | 45/63 | | 756 | 1.9 | 221 |
| | | 45/85 | | 784 | 1.8 | 236 |
| | | 45/63A | | 1008 | 1.4 | 277 |
| | | 45/63 | | 1008 | 1.4 | 277 |
| | 45/85 | | 1036 | 1.4 | 303 | |
| | 50/110 | | 1080 | 1.3 | 354 | |
| | 30/63A | | 1080 | 1.3 | 287 | |
| | 45/85 | | 1288 | 1.1 | 343 | |
| | 50/110 | | 1290 | 1.1 | 400 | |
| | 50/110 | | 1800 | 0.78 | 479 | |
| | 45/85 | | 1960 | 0.71 | 487 | |
| | 50/110 | | 2040 | 0.69 | 543 | |
| | 50/110 | | 2400 | 0.58 | 596 | |
| | 50/110 | | 3000 | 0.47 | 693 | |
| P1=0.18kw 4p n1=1400r/min | 45 | | | 7 | 200 | 7 |
| | 30 | | | 7 | 200 | 7 |
| | 45 | | | 10 | 140 | 10 |
| | 30 | | | 10.6 | 132 | 10 |
| | 45 | | | 14 | 100 | 13 |
| | 30 | | | 15 | 93 | 13 |
| | 30 | | | 19 | 74 | 16 |
| | 45 | | | 21 | 67 | 17 |
| | 50 | | | 26 | 54 | 22 |
| | 45 | | | 28 | 50 | 22 |
| | 30 | | | 30 | 46.7 | 23 |
| | | | 50 | 30.1 | 46.5 | 28 |
| | | | 45 | 30.1 | 46.5 | 27 |
| | 50 | | | 36 | 38.9 | 30 |
| | 45 | | | 37 | 37.8 | 29 |
| | 50 | | | 43 | 32.6 | 35 |
| | | | 50 | 43 | 32.6 | 40 |
| | | | 45 | 43 | 32.6 | 38 |
| | 45 | | | 46 | 30.4 | 33 |
| | | | 50 | 60.2 | 23.3 | 51 |
| | 50 | | | 60 | 23.3 | 43 |

| 输入 Input | 型号 Size | | | 减速比 Ratio | 输出 Output | |
|---------------------------------|---------|------|------|--------------|--------------|------------|
| | VFP | VFEP | VFFP | | $n_2(r/min)$ | $M_2(N.m)$ |
| P1=0.18kw 4p n1=1400r/min | | | 45 | 60.2 | 23.3 | 44 |
| | 45 | | | 60 | 23.3 | 41 |
| | 63A | | | 67 | 20.9 | 49 |
| | 63 | | | 67 | 20.9 | 49 |
| | 50 | | | 68 | 20.6 | 48 |
| | | | 50 | 77.4 | 18.1 | 58 |
| | 63A | | | 80 | 17.5 | 56 |
| | 63 | | | 80 | 17.5 | 56 |
| | 50 | | | 80 | 17.5 | 53 |
| | | | 63A | 87.8 | 15.9 | 78 |
| | | | 63 | 87.8 | 15.9 | 79 |
| | | | 45 | 90.3 | 15.5 | 63 |
| | 63A | | | 94 | 14.9 | 60 |
| | 63 | | | 94 | 14.9 | 60 |
| | 50 | | | 100 | 14 | 61 |
| | | | 63A | 111 | 12.6 | 95 |
| | | | 63 | 111 | 12.6 | 97 |
| | | | 50 | 112 | 12.5 | 84 |
| | | | 63A | 139 | 10.1 | 113 |
| | | | 63 | 139 | 10.1 | 114 |
| | | | 50 | 155 | 9 | 107 |
| | | 63A | 166 | 8.4 | 122 | |
| | | 63 | 166 | 8.4 | 124 | |
| | | 85 | 176 | 8 | 136 | |
| | 45/85 | | 196 | 7.1 | 125 | |
| | | 63A | 208 | 6.7 | 140 | |
| | | 63 | 208 | 6.7 | 151 | |
| | | 85 | 213 | 6.6 | 157 | |
| | | 85 | 240 | 5.8 | 156 | |
| | 45/63A | | 252 | 5.6 | 142 | |
| | 30/63A | | 252 | 5.6 | 142 | |
| | 45/63 | | 252 | 5.6 | 142 | |
| | 30/63 | | 252 | 5.6 | 142 | |
| | 45/85 | | 280 | 5 | 162 | |
| | | 63A | 310 | 4.5 | 194 | |
| | | 63 | 310 | 4.5 | 194 | |
| | | 85 | 328 | 4.3 | 213 | |
| | 45/63A | | 360 | 3.9 | 186 | |
| | 45/63 | | 360 | 3.9 | 186 | |
| | | 63A | 370 | 3.8 | 214 | |
| | 30/63A | | 382 | 3.7 | 192 | |
| | 30/63 | | 382 | 3.7 | 192 | |
| | 45/85 | | 392 | 3.6 | 212 | |
| | | 85 | 422 | 3.3 | 269 | |
| | | 85 | 466 | 3 | 257 | |
| | 45/63A | | 504 | 2.8 | 241 | |
| | 45/63 | | 504 | 2.8 | 241 | |
| | 30/63A | | 540 | 2.6 | 245 | |
| | 30/63 | | 540 | 2.6 | 245 | |
| | 45/85 | | 588 | 2.4 | 267 | |
| | | 85 | 605 | 2.3 | 297 | |
| | 30/63A | | 684 | 2 | 286 | |

带电机法兰型性能参数

Performance parameter of type without flange

VFP、VFEP、VFFP系列 Series

| 输入 Input | 型号 Size | | | 减速比 Ratio | 输出 Output | |
|---------------------------------|---------|--------|-------|-----------|------------------------|----------------------|
| | VFP | VFEP | VFFP | | n ₂ (r/min) | M ₂ (N.m) |
| P1=0.18kw 4p n1=1400r/min | | 45/63A | | 756 | 1.9 | 306 |
| | | 45/63 | | 756 | 1.9 | 306 |
| | | 50/110 | | 780 | 1.8 | 364 |
| | | 45/85 | | 784 | 1.8 | 327 |
| | | 45/85 | | 1036 | 1.4 | 420 |
| | | 50/110 | | 1080 | 1.3 | 491 |
| | | 45/85 | | 1288 | 1.1 | 474 |
| | | 50/110 | | 1290 | 1.1 | 554 |
| | | 50/110 | | 1800 | 0.78 | 663 |
| | | 50/110 | | 2040 | 0.69 | 751 |
| P1=0.25kw 4p n1=1400r/min | | | | 2400 | 0.58 | 825 |
| | | 50/110 | | 3000 | 0.47 | 958 |
| | 45 | | | 7 | 200 | 10 |
| | 45 | | | 10 | 140 | 13 |
| | 50 | | | 14 | 100 | 19 |
| | 45 | | | 14 | 100 | 18 |
| | 50 | | | 18 | 78 | 23 |
| | 45 | | | 21 | 67 | 24 |
| | 50 | | | 26 | 54 | 31 |
| | 45 | | | 28 | 50 | 31 |
| P1=0.25kw 4p n1=1400r/min | | | 50 | 30.1 | 46.5 | 39 |
| | | | 40 | 30.1 | 46.5 | 38 |
| | 50 | | | 36 | 38.9 | 42 |
| | 45 | | | 37 | 37.8 | 40 |
| | | | 50 | 43 | 32.6 | 55 |
| | 50 | | | 43 | 32.6 | 48 |
| | | | 45 | 43 | 32.6 | 53 |
| | 63 | | | 45 | 31.1 | 51 |
| | 45 | | | 46 | 30.4 | 46 |
| | | | 63A | 55.8 | 25.1 | 61 |
| P1=0.25kw 4p n1=1400r/min | | | 63 | 55.8 | 25.1 | 61 |
| | | | 50 | 60.2 | 23.3 | 71 |
| | 50 | | | 60 | 23.3 | 59 |
| | 63A | | | 67 | 20.9 | 69 |
| | 63 | | | 67 | 20.9 | 69 |
| | 50 | | | 68 | 20.6 | 66 |
| | | | 63A | 70.7 | 19.8 | 74 |
| | | | 63 | 70.7 | 19.8 | 75 |
| | 63A | | | 80 | 17.5 | 78 |
| | 63 | | | 80 | 17.5 | 78 |
| P1=0.37kw 4p n1=1400r/min | | | 63A | 87.8 | 15.9 | 108 |
| | | | 63 | 87.8 | 15.9 | 109 |
| | | | 50 | 77.4 | 18.1 | 81 |
| | 63A | | | 94 | 14.9 | 83 |
| | 63 | | | 94 | 14.9 | 83 |
| | 85 | | | 96 | 14.6 | 87 |
| | | | 63A | 111 | 12.6 | 133 |
| | | | 63 | 111 | 12.6 | 134 |
| | | | 63A | 139 | 10.1 | 156 |
| | | | 63 | 139 | 10.1 | 159 |
| P1=0.37kw 4p n1=1400r/min | | | 45/85 | 140 | 10 | 138 |
| | | | 63A | 166 | 8.4 | 170 |

| 输入 Input | 型号 Size | | | 减速比 Ratio | 输出 Output | |
|---------------------------------|---------|--------|--------|-----------|------------------------|----------------------|
| | VFP | VFEP | VFFP | | n ₂ (r/min) | M ₂ (N.m) |
| P1=0.25kw 4p n1=1400r/min | | | 63 | 166 | 8.4 | 173 |
| | | | 85 | 176 | 8 | 189 |
| | | 45/85 | | 196 | 7.1 | 174 |
| | | | 63A | 208 | 6.7 | 195 |
| | | | 85 | 213 | 6.6 | 218 |
| | | | 85 | 240 | 5.8 | 247 |
| | | | 110 | 245 | 5.7 | 259 |
| | | 45/63A | | 252 | 5.6 | 198 |
| | | 45/63 | | 252 | 5.6 | 198 |
| | | 45/85 | | 280 | 5 | 224 |
| P1=0.25kw 4p n1=1400r/min | | | 110 | 289 | 4.8 | 271 |
| | | | 85 | 328 | 4.3 | 296 |
| | | | 110 | 349 | 4 | 327 |
| | 45/63A | | | 360 | 3.9 | 258 |
| | 45/63 | | | 360 | 3.9 | 258 |
| | 45/85 | | | 392 | 3.6 | 294 |
| | 50/110 | | | 420 | 3.3 | 337 |
| | | | 85 | 422 | 3.3 | 374 |
| | | | 110 | 458 | 3.1 | 398 |
| | | | 85 | 466 | 3 | 358 |
| P1=0.37kw 4p n1=1400r/min | | 45/63A | | 504 | 2.8 | 335 |
| | | 50/110 | | 540 | 2.6 | 387 |
| | | | 110 | 540 | 2.6 | 433 |
| | | 45/85 | | 588 | 2.4 | 371 |
| | 50/110 | | | 780 | 1.8 | 505 |
| | 45/85 | | | 784 | 1.8 | 455 |
| | 45/85 | | | 1036 | 1.4 | 583 |
| | 50/110 | | | 1080 | 1.3 | 681 |
| | 50/110 | | | 1290 | 1.1 | 770 |
| | 50/110 | | | 1800 | 0.78 | 921 |
| P1=0.37kw 4p n1=1400r/min | | | 50/110 | 2040 | 0.69 | 1044 |
| | 50 | | | 7 | 200 | 14 |
| | 45 | | | 7 | 200 | 14 |
| | 50 | | | 10 | 140 | 20 |
| | 45 | | | 10 | 140 | 20 |
| | 50 | | | 14 | 100 | 28 |
| | 45 | | | 14 | 100 | 27 |
| | 63 | | | 15 | 93 | 30 |
| | 50 | | | 18 | 78 | 34 |
| | 45 | | | 21 | 67 | 36 |
| P1=0.55kw 4p n1=1400r/min | 50 | | | 26 | 54 | 45 |
| | 45 | | | 28 | 50 | 46 |
| | | | 63A | 29.5 | 47.5 | 55 |
| | | | 63 | 29.5 | 47.5 | 55 |
| | 63 | | | 30 | 46.7 | 56 |
| | | | 50 | 30.1 | 46.5 | 58 |
| | | | 45 | 30.1 | 46.5 | 56 |
| | 63A | | | 36 | 38.9 | 62 |
| | 63 | | | 36 | 38.9 | 62 |
| | | | 63A | 37.7 | 37.1 | 69 |
| P1=0.55kw 4p n1=1400r/min | | | 63 | 37.7 | 37.1 | 69 |
| | | | 50 | 43 | 32.6 | 81 |

带电机法兰型性能参数

Performance parameter of type without flange

VFP、VFEP、VFFP系列 Series

| 输入 Input | 型号 Size | | | 减速比 Ratio | 输出 Output | |
|---------------------------------|---------|------|------|-----------|------------------------|----------------------|
| | VFP | VFEP | VFFP | | n ₂ (r/min) | M ₂ (N.m) |
| P1=0.18kw 4p n1=1400r/min | | 63A | | 45 | 31.1 | 75 |
| | | 63 | | 45 | 31.1 | 75 |
| | | | 63A | 47.1 | 29.7 | 83 |
| | | | 63 | 47.1 | 29.7 | 83 |
| | | | 63A | 56.6 | 24.7 | 91 |
| | | | 63 | 56.6 | 24.7 | 91 |
| | 85 | | | 67 | 20.9 | 110 |
| | 63A | | | 67 | 20.9 | 101 |
| | 63 | | | 67 | 20.9 | 101 |
| | | | 63A | 70.7 | 19.8 | 109 |
| P1=0.37kw 4p n1=1400r/min | | | 63 | 70.7 | 19.8 | 111 |
| | 85 | | | 74 | 18.9 | 108 |
| | 63A | | | 80 | 17.5 | 115 |
| | 63 | | | 80 | 17.5 | 115 |
| | | | 85 | 81.7 | 17.1 | 126 |
| | | | 63A | 87.8 | 15.9 | 160 |
| | | | 63 | 87.8 | 15.9 | 162 |
| | 63A | | | 94 | 14.9 | 123 |
| | 63 | | | 94 | 14.9 | 123 |
| | 85 | | | 96 | 14.6 | 128 |
| P1=0.37kw 4p n1=1400r/min | | | 85 | 105 | 13.3 | 159 |
| | | | 63A | 111 | 12.6 | 196 |
| | | | 63 | 111 | 12.6 | 199 |
| | | | 110 | 125 | 11.2 | 224 |
| | | | 63A | 139 | 10.1 | 232 |
| | 45/85 | | | 140 | 10 | 205 |
| | | | 110 | 164 | 8.5 | 273 |
| | | | 63A | 166 | 8.4 | 251 |
| | | | 85 | 176 | 8 | 280 |
| | 45/85 | | | 196 | 7.1 | 257 |
| P1=0.55kw 4p n1=1400r/min | | | 110 | 207 | 6.8 | 329 |
| | 50/110 | | | 210 | 6.7 | 292 |
| | | | 85 | 213 | 6.6 | 323 |
| | | | 110 | 245 | 5.7 | 383 |
| | 45/63A | | | 252 | 5.6 | 293 |
| | 45/63 | | | 252 | 5.6 | 293 |
| | | | 85 | 256 | 5.5 | 342 |
| | 45/85 | | | 280 | 5 | 332 |
| | | | 110 | 289 | 4.8 | 401 |
| | 50/110 | | | 300 | 4.7 | 371 |
| P1=0.55kw 4p n1=1400r/min | | | 85 | 328 | 4.3 | 439 |
| | | | 110 | 349 | 4 | 464 |
| | 45/85 | | | 392 | 3.6 | 435 |
| | 50/110 | | | 420 | 3.3 | 498 |
| | | | 110 | 458 | 3.1 | 590 |
| | 50/110 | | | 540 | 2.6 | 572 |
| | | | 110 | 540 | 2.6 | 641 |
| | 45/85 | | | 588 | 2.4 | 549 |
| | 50/110 | | | 780 | 1.8 | 748 |
| | 50/110 | | | 1080 | 1.3 | 1009 |
| P1=0.55kw 4p n1=1400r/min | 50 | | | 7 | 200 | 22 |
| | 50 | | | 10 | 140 | 30 |
| | 50 | | | 14 | 100 | 41 |

| 输入 Input | 型号 Size | | | 减速比 Ratio | 输出 Output | |
|---------------------------------|---------|------|------|-----------|------------------------|----------------------|
| | VFP | VFEP | VFFP | | n ₂ (r/min) | M ₂ (N.m) |
| P1=0.55kw 4p n1=1400r/min | | 63 | | 15 | 93 | 44 |
| | | 50 | | 18 | 78 | 51 |
| | | 63A | | 19 | 74 | 56 |
| | | 63 | | 19 | 74 | 56 |
| | | 63A | | 24 | 58 | 68 |
| | | 63 | | 24 | 58 | 68 |
| | 50 | | | 26 | 54 | 67 |
| | | | 63A | 29.9 | 46.8 | 83 |
| | | | 63 | 29.9 | 46.8 | 83 |
| | 63A | | | 30 | 46.7 | 83 |
| P1=0.55kw 4p n1=1400r/min | 63 | | | 30 | 46.7 | 83 |
| | 63A | | | 36 | 38.9 | 92 |
| | 63 | | | 36 | 38.9 | 92 |
| | | | 63A | 37.7 | 37.1 | 103 |
| | | | 63 | 37.7 | 37.1 | 103 |
| | 63A | | | 45 | 31.1 | 111 |
| | 63 | | | 45 | 31.1 | 111 |
| | 85 | | | 46 | 30.4 | 117 |
| | | | 63A | 47.1 | 29.7 | 124 |
| | | | 63 | 47.1 | 29.7 | 124 |
| P1=0.55kw 4p n1=1400r/min | 85 | | | 52 | 26.9 | 129 |
| | | | 63A | 56.6 | 24.7 | 136 |
| | | | 63 | 56.6 | 24.7 | 136 |
| | | | 85 | 59.7 | 23.5 | 150 |
| | 110 | | | 64 | 21.9 | 166 |
| | 85 | | | 67 | 20.9 | 163 |
| | 63A | | | 67 | 20.9 | 151 |
| | 63 | | | 67 | 20.9 | 151 |
| | | | 63A | 70.7 | 19.8 | 162 |
| | | | 63 | 70.7 | 19.8 | 164 |
| P1=0.55kw 4p n1=1400r/min | | | 85 | 72.3 | 19.4 | 174 |
| | 85 | | | 74 | 18.9 | 161 |
| | 63A | | | 80 | 17.5 | 171 |
| | 85 | | | 81.7 | 17.1 | 187 |
| | 110 | | | 84 | 16.7 | 205 |
| | | | 63A | 87.8 | 15.9 | 237 |
| | | | 110 | 94 | 14.9 | 233 |
| | 85 | | | 96 | 14.6 | 191 |
| | 110 | | | 99 | 14.1 | 233 |
| | | | 85 | 105 | 13.3 | 236 |
| P1=0.55kw 4p n1=1400r/min | | | 110 | 125 | 11.2 | 333 |
| | | | 110 | 164 | 8.5 | 406 |
| | | | 85 | 176 | 8 | 416 |
| | | | 1 | | | |

带电机法兰型性能参数

Performance parameter of type without flange

VFP、VFEP、VFFP系列 Series

| 输入 Input | 型号 Size | | | 减速比 Ratio | 输出 Output | |
|---------------------------------|---------|------|------|-----------|--------------|------------|
| | VFP | VFEP | VFFP | | $n_2(r/min)$ | $M_2(N.m)$ |
| P1=0.75kw 4p n1=1400r/min | 63 | | | 7 | 200 | 30 |
| | 50 | | | 7 | 200 | 29 |
| | 63 | | | 10 | 140 | 41 |
| | 50 | | | 10 | 140 | 41 |
| | 50 | | | 14 | 100 | 57 |
| | 63A | | | 15 | 93 | 61 |
| | 63 | | | 15 | 93 | 61 |
| | 50 | | | 18 | 78 | 69 |
| | 63A | | | 19 | 74 | 76 |
| | 63 | | | 19 | 74 | 76 |
| | 85 | | | 22 | 64 | 88 |
| | 63A | | | 24 | 58 | 92 |
| | 63 | | | 24 | 58 | 92 |
| | 85 | | | 28 | 50 | 107 |
| | | | 63A | 29.9 | 48.6 | 113 |
| | | | 63 | 29.9 | 48.6 | 113 |
| | 63A | | | 30 | 46.7 | 114 |
| | 63 | | | 30 | 46.7 | 114 |
| | 63A | | | 36 | 38.9 | 125 |
| | 63 | | | 36 | 38.9 | 125 |
| | | | 63A | 37.7 | 37.1 | 141 |
| | | | 63 | 37.7 | 37.1 | 141 |
| | 85 | | | 38 | 36.8 | 138 |
| | 63A | | | 45 | 31.1 | 152 |
| 63 | | | 45 | 31.1 | 152 | |
| 85 | | | 46 | 30.4 | 160 | |
| | | 63A | 47.1 | 29.7 | 169 | |
| | | 63 | 47.1 | 29.7 | 169 | |
| 85 | | | 52 | 26.9 | 176 | |
| | | 63A | 56.6 | 24.7 | 185 | |
| | | 63 | 56.6 | 24.7 | 185 | |
| | | 85 | 59.7 | 23.5 | 205 | |
| | | 110 | 63 | 22.2 | 222 | |
| 110 | | | 64 | 21.9 | 226 | |
| 85 | | | 67 | 20.9 | 223 | |
| | | 63A | 70.7 | 19.8 | 221 | |
| | | 63 | 70.7 | 19.8 | 224 | |
| | | 85 | 72.3 | 19.4 | 237 | |
| 85 | | | 74 | 18.9 | 220 | |
| | | 110 | 80 | 17.5 | 270 | |
| | | 85 | 81.7 | 17.1 | 255 | |
| 110 | | | 84 | 16.7 | 279 | |
| | | 110 | 94 | 14.9 | 317 | |
| 85 | | | 96 | 14.6 | 260 | |
| 110 | | | 99 | 14.1 | 304 | |
| | | 85 | 105 | 13.3 | 322 | |
| | | 110 | 125 | 11.2 | 454 | |
| | | 110 | 164 | 8.5 | 554 | |
| | | 110 | 207 | 6.8 | 667 | |
| | 50/110 | | 210 | 6.7 | 591 | |
| | | 110 | 245 | 5.7 | 777 | |
| | 50/110 | | 300 | 4.7 | 752 | |
| | 50/110 | | 420 | 3.3 | 1010 | |

| 输入 Input | 型号 Size | | | 减速比 Ratio | 输出 Output | |
|--------------------------------|---------|------|------|-----------|--------------|------------|
| | VFP | VFEP | VFFP | | $n_2(r/min)$ | $M_2(N.m)$ |
| P1=1.1kw 4p n1=1400r/min | 63A | | | 7 | 200 | 44 |
| | 63 | | | 7 | 200 | 44 |
| | 63A | | | 10 | 140 | 61 |
| | 63 | | | 10 | 140 | 61 |
| | 85 | | | 14 | 100 | 82 |
| | 63A | | | 15 | 93 | 89 |
| | 63 | | | 15 | 93 | 89 |
| | 63A | | | 19 | 74 | 111 |
| | 63 | | | 19 | 74 | 111 |
| | 85 | | | 20 | 70 | 119 |
| | 85 | | | 22 | 64 | 129 |
| | 63A | | | 24 | 58 | 135 |
| | 63 | | | 24 | 58 | 135 |
| | 85 | | | 28 | 50 | 158 |
| | | | 63A | 29.9 | 46.8 | 166 |
| | | | 63 | 29.9 | 46.8 | 166 |
| | 63A | | | 30 | 46.7 | 167 |
| | 63 | | | 30 | 46.7 | 167 |
| | 63A | | | 36 | 38.9 | 184 |
| | 63 | | | 36 | 38.9 | 184 |
| | | | 63A | 37.7 | 37.1 | 207 |
| | 110 | | | 38 | 36.8 | 214 |
| | 85 | | | 38 | 36.8 | 202 |
| | | | 110 | 42 | 33.3 | 240 |
| 110 | | | 45 | 31.1 | 240 | |
| 85 | | | 46 | 30.4 | 235 | |
| | | 63A | 47.1 | 29.4 | 247 | |
| | | 110 | 48 | 29.2 | 267 | |
| 85 | | | 52 | 26.9 | 253 | |
| 110 | | | 53 | 26.4 | 273 | |
| | | 85 | 59.7 | 23.5 | 300 | |
| | | 110 | 63 | 22.2 | 326 | |
| 110 | | | 64 | 21.9 | 331 | |
| 85 | | | 67 | 20.9 | 327 | |
| | | 85 | 72.3 | 19.4 | 347 | |
| 85 | | | 74 | 18.9 | 322 | |
| | | 110 | 80 | 17.5 | 396 | |
| | | 85 | 81.7 | 17.1 | 374 | |
| 110 | | | 84 | 16.7 | 410 | |
| | | 110 | 94 | 14.9 | 466 | |
| 110 | | | 99 | 14.1 | 446 | |
| | | 110 | 125 | 11.2 | 666 | |
| | | 110 | 164 | 8.5 | 812 | |
| 85 | | | 7 | 200 | 63 | |
| 63A | | | 7 | 200 | 59 | |
| 63 | | | 7 | 200 | 59 | |
| 85 | | | 10 | 140 | 82 | |
| 63A | | | 10 | 140 | 83 | |
| 63 | | | 10 | 140 | 83 | |
| 85 | | | 14 | 100 | 112 | |
| 63A | | | 15 | 93 | 121 | |
| 63 | | | 15 | 93 | 121 | |
| 63A | | | 19 | 74 | 152 | |

带电机法兰型性能参数

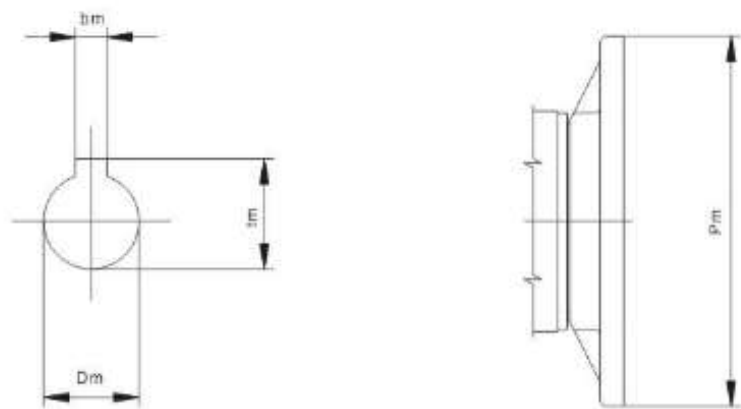
Performance parameter of type without flange

VFP、VFEP、VFFP系列 Series

| 输入 Input | 型号 Size | | | 减速比 Ratio | 输出 Output | |
|--------------------------------|---------|------|------|-----------|--------------|------------|
| | VFP | VFEP | VFFP | | $n_2(r/min)$ | $M_2(N.m)$ |
| P1=1.5kw 4p n1=1400r/min | 63 | | | 19 | 74 | 152 |
| | 110 | | | 20 | 70 | 168 |
| | 85 | | | 20 | 70 | 162 |
| | 85 | | | 22 | 64 | 176 |
| | 110 | | | 23 | 61 | 188 |
| | 63A | | | 24 | 58 | 184 |
| | 85 | | | 28 | 50 | 215 |
| | 110 | | | 30 | 46.7 | 233 |
| | 63A | | | 30 | 46.7 | 227 |
| | 110 | | | 38 | 36.8 | 292 |
| | 85 | | | 38 | 36.8 | 276 |
| | | | 110 | 42 | 33.3 | 327 |
| | 110 | | | 45 | 31.3 | 336 |
| | 85 | | | 46 | 30.4 | 320 |
| | | | 110 | 48 | 29.2 | 363 |
| | 85 | | | 52 | 26.9 | 351 |
| | 110 | | | 53 | 26.4 | 380 |
| | | | 85 | 59.7 | 23.5 | 409 |
| | | | 110 | 63 | 22.2 | 445 |
| | 110 | | | 64 | 21.9 | 452 |
| | | | 85 | 72.3 | 19.4 | 473 |
| | | | 110 | 80 | 17.5 | 540 |
| | 110 | | | 84 | 16.7 | 559 |
| | | | 110 | 94 | 14.9 | 635 |
| 110 | | | 99 | 14.1 | 608 | |
| 63A | | | 7 | 200 | 71 | |
| 63 | | | 7 | 200 | 71 | |
| 63A | | | 10 | 140 | 99 | |
| 63 | | | 10 | 140 | 99 | |
| 85 | | | 14 | 100 | 134 | |
| 63A | | | 15 | 93 | 146 | |
| 63 | | | 15 | 93 | 146 | |
| 63A | | | 19 | 74 | 182 | |
| 110 | | | 20 | 70 | 201 | |
| 85 | | | 20 | 70 | 194 | |
| 85 | | | 22 | 64 | 211 | |
| 110 | | | 23 | 61 | 226 | |
| 63A | | | 24 | 58 | 221 | |
| 85 | | | 28 | 50 | 258 | |
| 110 | | | 30 | 46.7 | 280 | |
| 110 | | | 38 | 36.8 | 350 | |
| 85 | | | 38 | 36.8 | 331 | |
| | | 110 | 42 | 33.3 | 392 | |
| 110 | | | 45 | 31.1 | 403 | |
| 85 | | | 46 | 30.4 | 384 | |
| | | 110 | 48 | 29.2 | 436 | |
| 110 | | | 53 | 26.4 | 456 | |
| | | 85 | 59.7 | 23.5 | 491 | |
| | | 110 | 63 | 22.2 | 534 | |
| 110 | | | 64 | 21.9 | 542 | |
| | | 110 | 80 | 17.5 | 648 | |
| | | 110 | 94 | 14.9 | 762 | |

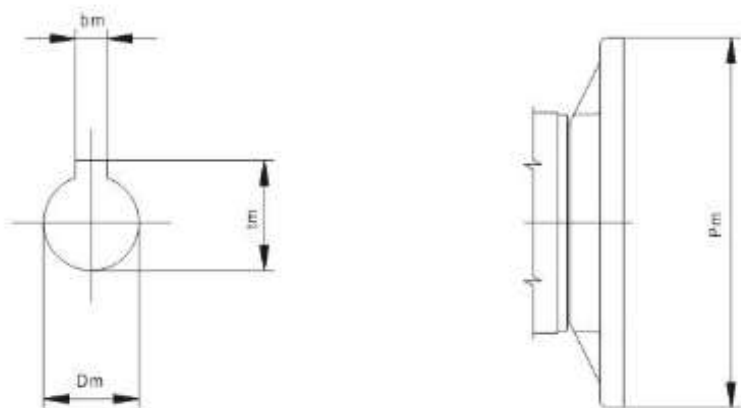
| 输入 Input | 型号 Size | | | 减速比 Ratio | 输出 Output | |
|--------------------------------|---------|------|------|-----------|--------------|------------|
| | VFP | VFEP | VFFP | | $n_2(r/min)$ | $M_2(N.m)$ |
| P1=2.2kw 4p n1=1400r/min | 85 | | | 7 | 200 | 92 |
| | 110 | | | 10 | 140 | 129 |
| | 85 | | | 10 | 140 | 120 |
| | 85 | | | 14 | 100 | 164 |
| | 110 | | | 16 | 88 | 197 |
| | 110 | | | 20 | 70 | 246 |
| | 85 | | | 20 | 70 | 237 |
| | 85 | | | 22 | 64 | 258 |
| | 110 | | | 23 | 61 | 276 |
| | 85 | | | 28 | 50 | 315 |
| | 110 | | | 30 | 46.7 | 342 |
| | 110 | | | 38 | 36.8 | 428 |
| | | 110 | 42 | 33.3 | 479 | |
| 110 | | | 45 | 31.1 | 193 | |
| | | 110 | 48 | 29.2 | 533 | |
| 110 | | | 53 | 26.4 | 557 | |
| | | 110 | 63 | 22.2 | 652 | |
| | | 110 | 80 | 17.5 | 792 | |
| 110 | | | 7 | 200 | 126 | |
| 85 | | | 7 | 200 | 126 | |
| 110 | | | 10 | 140 | 176 | |
| 85 | | | 10 | 140 | 164 | |
| 85 | | | 14 | 100 | 223 | |
| 110 | | | 16 | 88 | 268 | |
| 110 | | | 20 | 70 | 336 | |
| 85 | | | 20 | 70 | 323 | |
| 85 | | | 22 | 64 | 351 | |
| 110 | | | 23 | 61 | 377 | |
| 85 | | | 28 | 50 | 430 | |
| 110 | | | 30 | 46.7 | 467 | |
| 110 | | | 38 | 36.8 | 583 | |
| | | 110 | 42 | 33.3 | 653 | |
| 110 | | | 45 | 31.1 | 672 | |
| | | 110 | 48 | 29.2 | 727 | |
| 110 | | | 53 | 26.4 | 759 | |
| | | 110 | 63 | 22.2 | 890 | |
| 110 | | | 7 | 200 | 168 | |
| 85 | | | 7 | 200 | 168 | |
| 110 | | | 10 | 140 | 235 | |
| 85 | | | 10 | 140 | 218 | |
| 85 | | | 14 | 100 | 298 | |
| 110 | | | 16 | 88 | 358 | |
| 110 | | | 20 | 70 | 447 | |
| 110 | | | 23 | 61 | 502 | |
| 110 | | | 30 | 46.7 | 622 | |
| 110 | | | 38 | 36.8 | 778 | |
| 110 | | | 7 | 200 | 231 | |
| 110 | | | 10 | 140 | 323 | |
| 110 | | | 16 | 88 | 492 | |
| 110 | | | 7 | 200 | 315 | |
| 110 | | | 10 | 140 | 440 | |
| 110 | | | 16 | 88 | 671 | |

PAM B5外型尺寸 Dimensions



| B5 | IEC | | | | | | | | | | |
|----|------|------|------|------|------|------|------|------|------|------|------|
| | 056 | 063 | 071 | 080 | 090 | 100 | 112 | 132 | 160 | 180 | 200 |
| Pm | 120 | 140 | 160 | 200 | 200 | 250 | 250 | 300 | 350 | 350 | 400 |
| Dm | 9 | 11 | 14 | 19 | 24 | 28 | 28 | 38 | 42 | 48 | 55 |
| bm | 3 | 4 | 5 | 6 | 8 | 8 | 8 | 10 | 12 | 14 | 16 |
| tm | 10.4 | 12.8 | 16.3 | 21.8 | 27.3 | 31.3 | 31.3 | 41.3 | 45.3 | 51.8 | 59.3 |

PAM B14外型尺寸 Dimensions



| B14 | IEC | | | | | | | | |
|-----|------|------|------|------|------|------|------|------|--|
| | 056 | 063 | 071 | 080 | 090 | 110 | 112 | 132 | |
| Pm | 80 | 90 | 105 | 120 | 140 | 160 | 160 | 200 | |
| Dm | 9 | 11 | 14 | 19 | 24 | 28 | 28 | 38 | |
| bm | 3 | 4 | 5 | 6 | 8 | 8 | 8 | 10 | |
| tm | 10.4 | 12.8 | 16.3 | 21.8 | 27.3 | 31.3 | 31.3 | 41.3 | |

一般故障及排除方法 Solution and reason for the general faults of reducer

| 故障类型 Fault description | 故障原因 Reasons | 排除方法 Solutions |
|-----------------------------------|---|---|
| 机温过高 Overheating | 负荷超载 润滑油不够 润滑油不良 机壳散热不良 Overloading Insufficient oil Inferior oil Bad rejection of heat of the enclosure | 调整负荷或选大机型 加够润滑油 加入合适的润滑油 清除机壳表面灰尘及油渍 Adjust loading or select large unit Fill in adequate oil Fill in proper oil Clean the surface of the enclosure |
| 杂音 Noise | 蜗杆、蜗轮啮合不良 蜗轮过度磨损 轴承损坏或间隙太大 润滑油不够 异物进入机内 Poor fit between gear and shaft Worm wheel over-damaged Bearing damaged or clearance too large Insufficient oil Invaded by foreign objects | 修整或更换蜗杆、蜗轮 更换蜗轮 更换轴承 加够润滑油 去除异物或换油 Finish the surfaces of worm-gear Replace worm Replace bearing Fill in adequate oil Remove foreign objects and replace oil |
| 蜗轮过度磨损 Worm wheel over-damaged | 负荷超载 润滑油不够 润滑油不良 Overloading Insufficient oil Inferior oil | 调整负荷或选大机型 加够润滑油 更换合适的润滑油 Adjust loading or select large unit Fill in adequate oil Replace proper oil |
| 漏油 Oil leakage | 油封损伤 密封垫损伤 油量过多 油塞松动 油镜损坏 Oil seal damaged Gasket damaged Excess oil Oil filler Loosed Oil-level plug damaged | 更换油封 更换密封垫 调整油量 拧紧油塞 更换油镜 Replace oil seal Replace gasket Adjust quantity of oil Tighten oil filler Replace oil-level plug |

润滑油的选择使用 Choice of lubricant

| 减速机类别 Reducer type | PC | UD系列 无级变速器 UD series speed variator | NMRV系列蜗轮减速机 NMRV series worm-gear speed reducer | | | | VF系列蜗轮减速机 VF series reducer | | |
|---|------------------|---|--|----------------------|----------------------|----------------------|--------------------------------|-----------------------|------------------------|
| | | | NMRV 025-090 | NMRV110-150 | | 30-63A | 85-110 | | |
| 润滑油 Lubricant | 合成油 Synthetic | 合成油 Synthetic | 合成油 Synthetic | 合成油 Synthetic | 矿物油 Mineral | | 润滑脂 Grease | 合成油 Synthetic oil | |
| 环境温度 Ambient Temperature | -25°C~+40°C | -25°C~+40°C | -25°C~+50°C | -25°C~+50°C | -5°C~+40°C | -15°C~+25°C | -5°C~+40°C | -15°C~+25°C | |
| ISO VG | VG320 | VG320 | VG320 | VG320 | VG460 | VG220 | | VG220 | |
| 国内使用 Used in interior | CKC150 | UB-3 | WA460 | WA460 | | | | | |
| 国外使用 Used in foreign Countries | | TRANSMISSION V.E A.T.F.DEXRON FLUID | TELUM VSF | MELLANA OIL 320 | MELLANA OIL 460 | MELLANA OIL 220 | | | |
| | | TIVELA OIL SC320 | A.T.F.DEXRON | TIVELA OIL SC320 | OMALA OIL 320 | OMALA OIL 460 | OMALA OIL 220 | TIVELA COMPOUND A | TIVELA OIL SC320 |
| | | | A.T.F.DEXRON | BLASIA S320 | BLASIA 320 | BLASIA 460 | BLASIA 220 | | |
| | | | A.T.F.DEXRON | S220 | S220 | SPARTAN EP460 | SPARTAN EP220 | GREASE S420 | |
| | | GLYGOYLE 30 | A.T.F.220 | GLYGOYLE 30 | MOBIL GEAR 320 | MOBIL GEAR 634 | GLYGOYLE 30 | GLYGOYLE GREASE 00 | GLYGOYLE 30 SHC 630 |
| | | ALPHASYN PG 320 | TQ.DEXRON.II | ALPHASYN PG 320 | ALPHASYN PG 320 | ALPHA MAX 460 | ALPHA MAX 220 | | |
| | | AUTRAN DX | ENERGOL SG-XP 320 | ENERGOL SG-XP 320 | ENERGOL SG-XP 460 | ENERGOL SG-XP 220 | | ENERGOL GRXP 220 | |

VF.. 润滑油(公升) Q.ty of oil in litres of VF..

| VF.. | 30 | 45 | 50 | 63 | 63A | 85 | 110 |
|------------------|-------|------|------|------|------|-----|---------|
| 油脂(kg) Grease | 0.065 | 0.09 | 0.16 | 0.38 | 0.38 | | |
| 油量(L) Oil | | | | | | 1.2 | 2.8/1.8 |

NMRV 润滑油(公升) Q.ty of oil in litres of NMRV

| NMRV | 025 | 030 | 040 | 050 | 063 | 075 | 090 | 110 | 130 | 150 |
|--------------|------|------|------|------|-----|------|-----|-----|-----|-----|
| 油量(L) Oil | 0.02 | 0.04 | 0.08 | 0.15 | 0.3 | 0.55 | 1 | 3 | 4.5 | 7 |

PC 润滑油(公升) Q.ty of oil in litres of PC

| PC | 063 | 071 | 080 | 090 |
|--------------|------|------|------|------|
| 油量(L) Oil | 0.16 | 0.25 | 0.28 | 0.28 |

UD 润滑油(公升) Q.ty of oil in litres of UD

| UD | 0.18 | 0.37 | 0.75 | 1.5 | 2.2 |
|--------------|------------|------|------|------|-----|
| 油量(L) Oil | B3 0.25 | 0.35 | 0.45 | 0.75 | 1.0 |
| | V3 0.4 | 0.5 | 0.6 | 1.0 | 1.5 |

蜗轮减速机的工作系数 Service factor

减速机的工作系数(f.s.)主要取决于减速机的运作条件,其决定因素为

1. 减速机的负荷形式: A-B-C
2. 工作时间: 小时/天(Δ)
3. 开机频率: 次/小时(*)

减速机的三种符合形式:

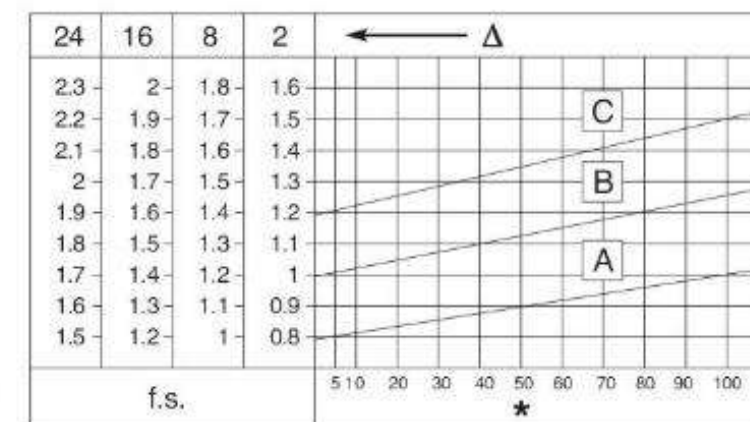
1. A: 均等负荷 $fa \leq 0.3$
2. B: 中等负荷 $fa \leq 3$
3. C: 重量负荷 $fa \leq 10$

$Fa = J_e / J_m$

$J_e(\text{kgm}^2)$: 在马达轴上发生衰减的惯性矩

$J_m(\text{kgm}^2)$: 马达惯性矩

注意: $fa > 10$ 时请与技术服务部联系



The service factor(f.s.)depends on the operating conditions the gearbox is subjected to. Following parameters need to be taken to select the right service factor.

- type of load of the operating machine A- B-C
- length of daily operating time: hours/day(Δ)
- start-up frequency: starts/hour (*)

TYPE OF LOAD: A-uniform, $fa \leq 0.3$

B-moderate shocks, $fa \leq 3$

C-heavy shocks, $fa \leq 10$

$fa = J_{ex} / J_m$

-- $J_{ex}(\text{kgm}^2)$ moment of the external inertia reduced at the drive shaft

-- $J_m(\text{kgm}^2)$ moment of inertia of motor

安装注意事项 Installation notes

--蜗杆的输入转速不大于1500r/min, 转速过高易引起蜗轮磨损及机壳温升过高, 影响减速机使用寿命。

--减速机要平稳安装, 避免震动。

--与机器装配前, 请检查减速机的输出轴的旋转方向是否正确。

--在减速机放置时间长达4-6个月情况下, 应检查密封圈是否因不浸润在润滑油中而与轴发生粘连或失去弹性, 必要时更换密封圈。

--安装空心轴时, 应采用专用力矩扳手。如无该条件时, 用户可自行选用专用工具, 但应确保轴向不受力, 减速机可自由移动。

--减速机应避免受日光直射和雨淋。

--确保通风条件良好。

--工作环境温度低于-5° 或高于40° 时, 请咨询技术服务部。

--皮带盘, 齿轮, 联轴器, 轴等通过特殊螺纹孔装于实心轴或空心轴, 该螺纹孔可防止运作时损伤轴承和机件表面, 应对机件表面作适当润滑, 以防锈蚀和卡塞。

--橡胶件和透气孔不可上油漆。

--安装完毕后, 取出油孔上的封口栓塞, 换上透气栓塞。(透气栓应向内)

--检查油位高度。

--如果减速机不连接马达时, 请参考以下注意事项以确保正确连接: 安装于B5, B14

--检查轴与电机法兰之公差是否符合基本标准。

--清洗轴、中心孔和法兰表面的污迹及油漆。

--安装时避免减速机受力。

--检查马达键槽的位置和偏差。

--用润滑油涂抹轴的表面, 以防生锈或卡塞。

--开机时尽量应分级启动, 避免满负荷启动, 能延长减速机的使用寿命。